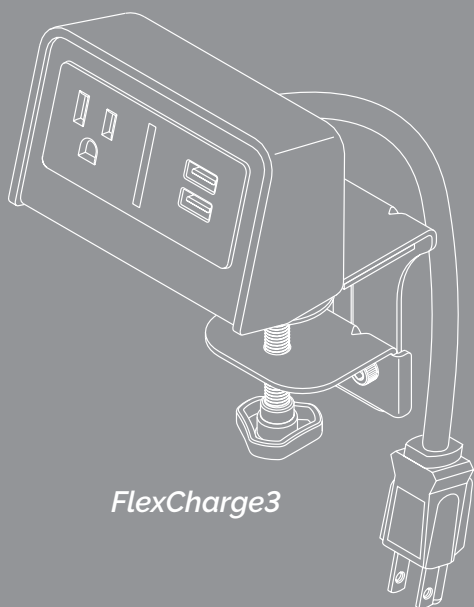


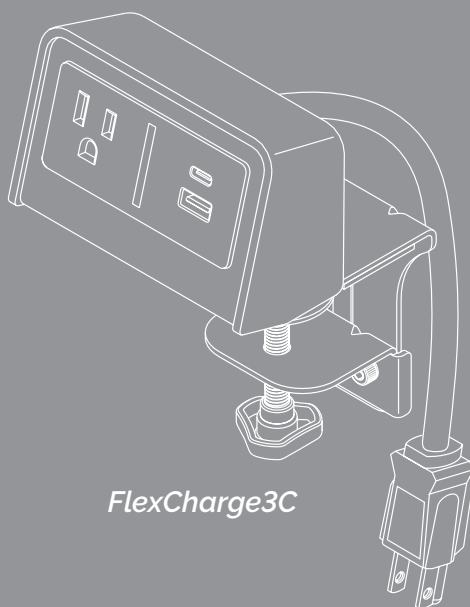
# Fellowes

## FlexCharge3™ FlexCharge3C™

Personal Desktop Power



*FlexCharge3*



*FlexCharge3C*

### INSTALLATION INSTRUCTIONS

Model # FCH3-WHT  
Model # FCH3 BLK

Model # FCH3C WHT  
Model # FCH3C BLK



## Safety instructions and warnings

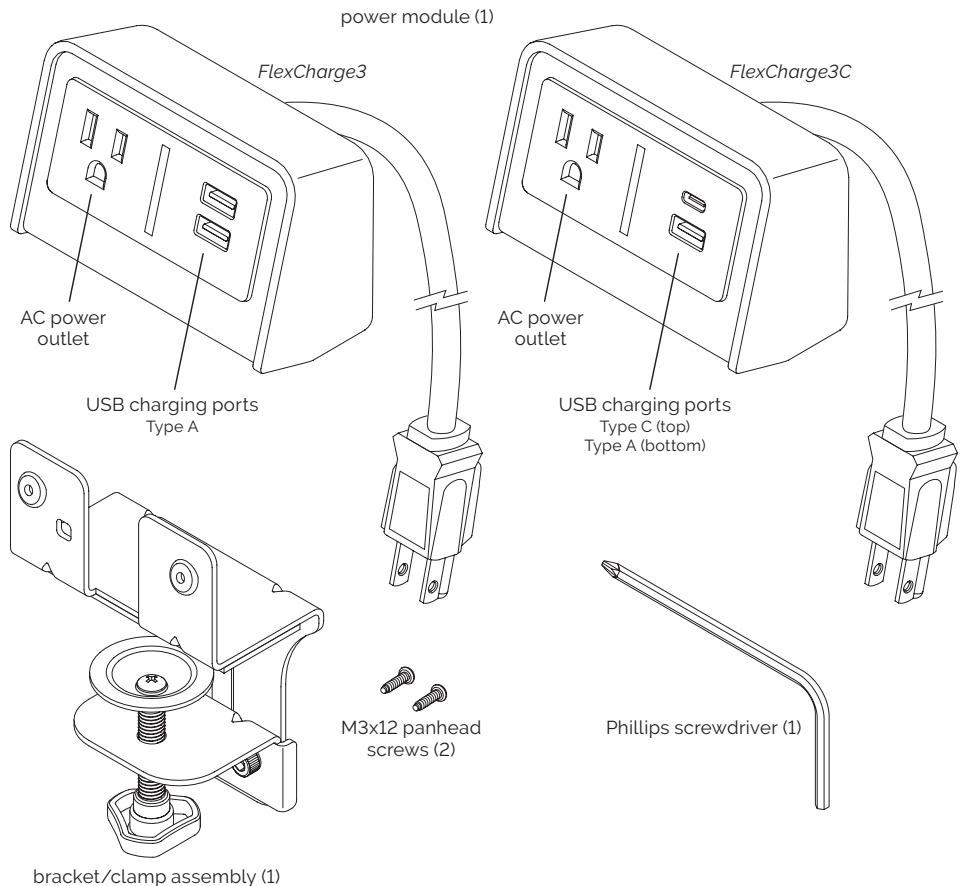
Always read safety instructions carefully.

- Do not install near heat sources such as radiators, heat registers, stoves or other equipment (including amplifiers) that produce heat.
- Unplug the unit during lightning storms or when unused for extended periods of time.
- To reduce the risk of fire or electric shock, do not expose this unit to rain or moisture, including any drips or splashes.
- Objects filled with liquids such as vases, should never be placed on or near the unit.
- Do not open the unit due to risk of electric shock hazard.
- The outlet used to power the unit should be easily accessible and located near the equipment.
- The unit is for indoor use only.
- Please refer to the marking label on the unit for input and output ratings. Do not overload the power supply.
- DO NOT USE this unit in life support applications where failure of the unit can reasonably be expected to cause the failure of the life support equipment or to significantly affect its safety or effectiveness.
- DO NOT USE this unit in the presence of a flammable anesthetic mixture with air, oxygen or nitrous oxide.
- Failure to adhere to these instructions effectively voids the warranty.

**Please review** these instructions before beginning the installation. Check that all parts and tools needed were provided with your order (see illustration below). Contact your supplier if any parts are missing. Do not discard the packaging until the product works to your satisfaction.

Note that the only difference between models 3 and 3C is the USB port configuration on the power module. **FlexCharge3** has two Type-A USB ports, while **FlexCharge3C** has one Type-A port and one Type-C port.

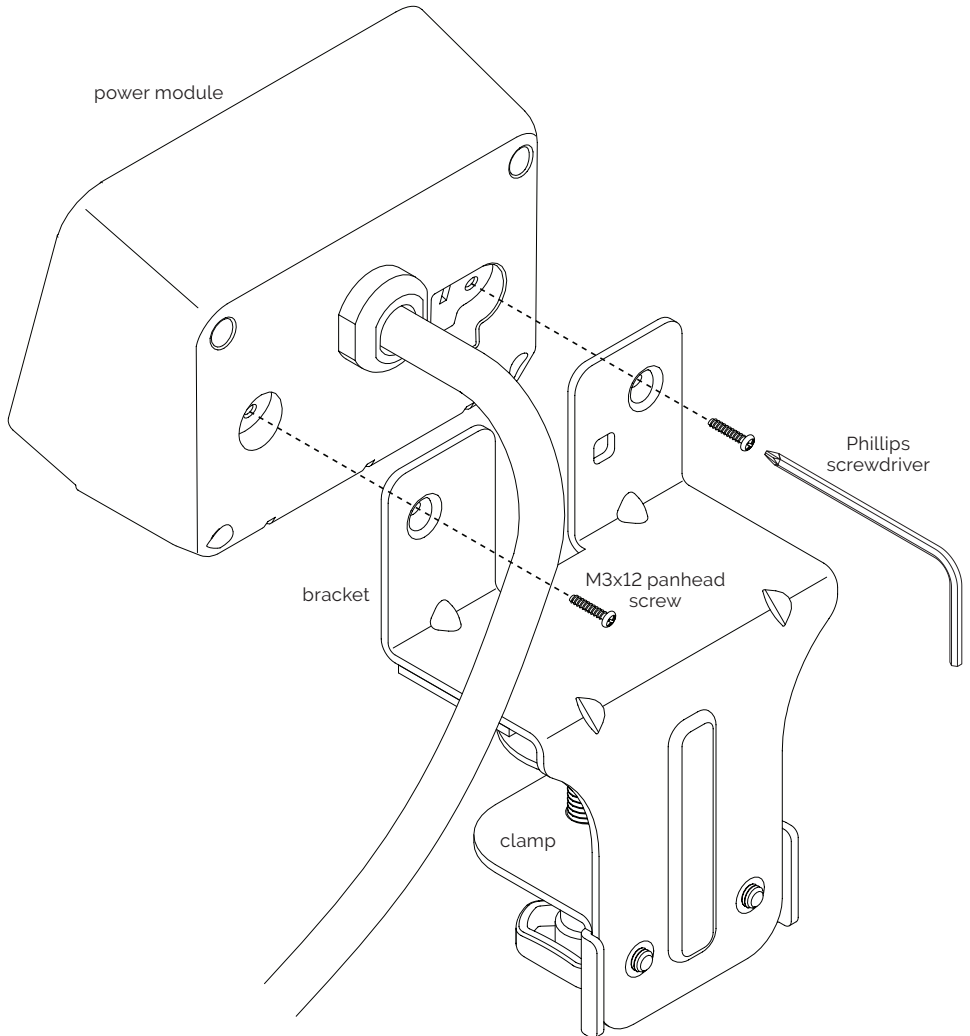
## Components and tools



**Important:** hand-tighten screws only.

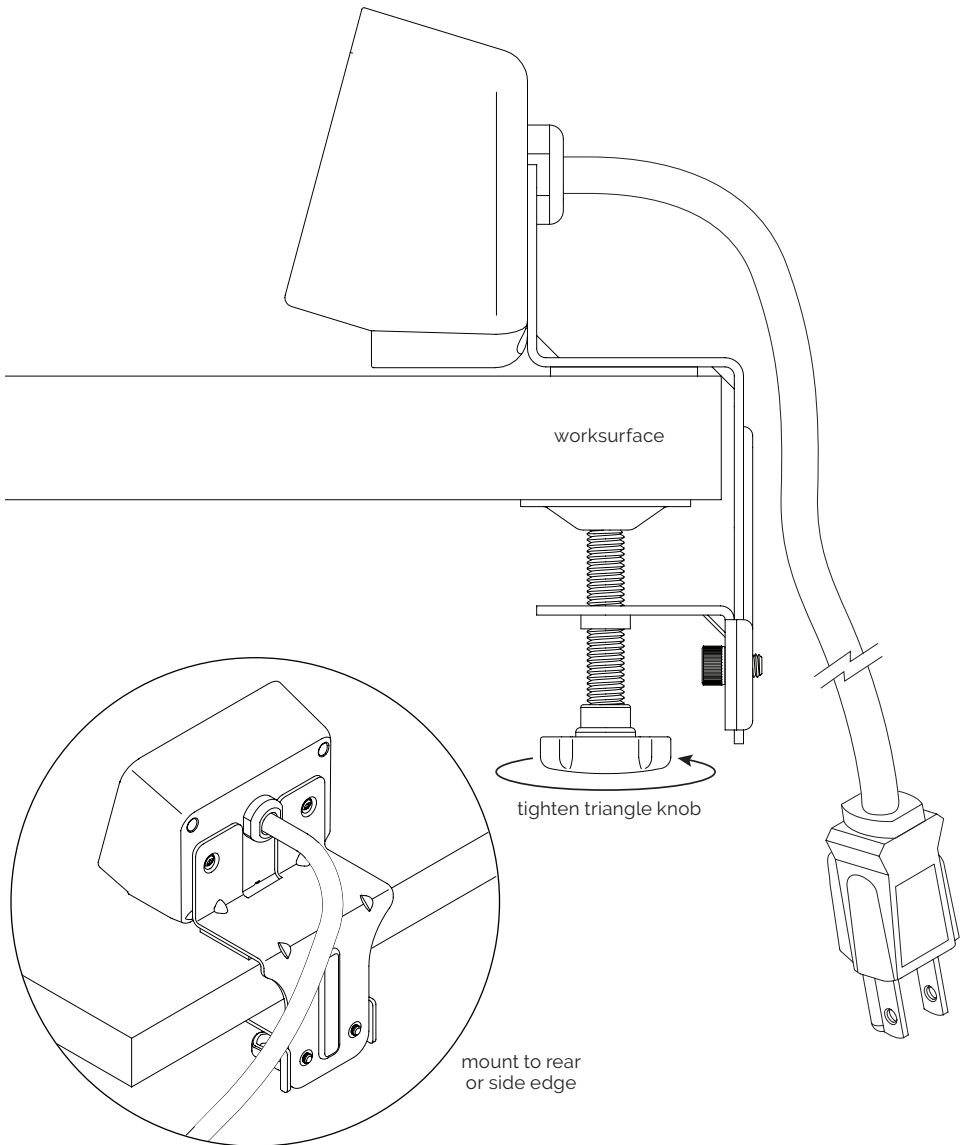
**Step #1: attach bracket/clamp assembly to power module**

- Route the power cord through the opening in the top bracket.
- Attach the top bracket to the rear of the power module using the two M3x12 panhead screws.
- Tighten securely using the provided Phillips screwdriver.



**Step #2: clamp assembled FlexCharge unit to worksurface**

- Position the FlexCharge unit in the desired location on the rear edge or side edge of the worksurface.
- Clamp the unit securely in place by tightening the triangle knob.
- Plug the power cord into an AC outlet.



**Specifications**

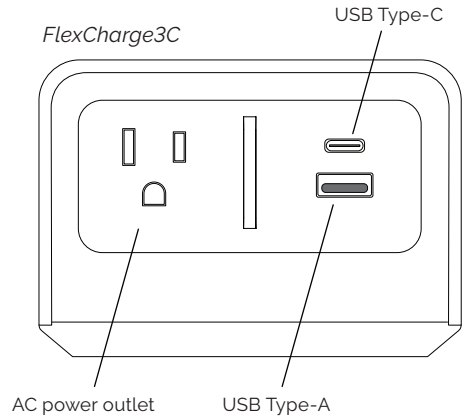
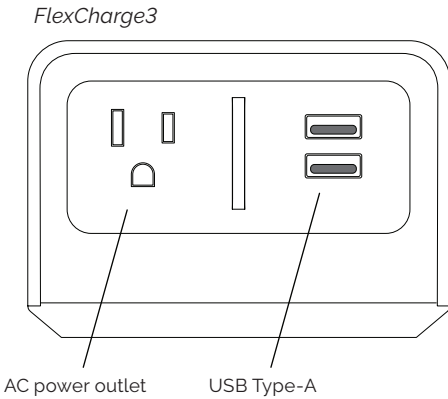
**FlexCharge3:**

AC Power Outlet	15A, 120V, 60Hz
USB Maximum Current Flow	5V: 3.1A
USB Maximum Combined Output	15.5W

**FlexCharge3C:**

AC Power Outlet	15A, 120V, 60Hz		
USB Maximum Current Flow	USB Type-A	5V: 2.4A	
	USB Type-C (PD 3.0)	5V: 3A	9V: 3A
		15V: 2.0A	20V: 1.5A
USB Maximum Combined Output	30W		

- FlexCharge3 and FlexCharge3C comply with UL 962A Standard for Furniture Power Distribution Units and meet respective spill test criteria.



## **FELLOWES FLEXCHARGE 5-YEAR LIMITED WARRANTY**

Fellowes, Inc. (the "Company") warrants this product to be free from defects in material and workmanship appearing within five (5) years from the date of the original purchase of the product. If such a defect appears during the warranty period, the Company will (at its sole option) either repair or replace the defective product with no charge for service or parts or refund the purchase price. The Company may require that the product be returned at the customer's expense to a location designated by Customer Service.

This warranty applies only to the initial retail purchaser and does not cover claims resulting from misuse, failure to follow instructions on installation and use, neglect, use of unauthorized attachments, commercial use, use on a current or voltage other than specified on the product, or unauthorized service during the warranty period on conditions otherwise covered by warranty.

THE DURATION OF ANY IMPLIED WARRANTIES, INCLUDING BUT NOT LIMITED TO ANY IMPLIED WARRANTIES OF MERCHANTABILITY OR FITNESS FOR A PARTICULAR PURPOSE, IS EXPRESSLY LIMITED TO THE DURATION OF THIS LIMITED WARRANTY.

UNLESS REQUIRED BY APPLICABLE LAW, THE CUSTOMER'S EXCLUSIVE REMEDY FOR BREACH OF THIS WARRANTY OR ANY IMPLIED WARRANTY OR OF ANY OTHER OBLIGATION ARISING BY OPERATION OF LAW OR OTHERWISE SHALL BE LIMITED AS SPECIFIED HEREIN TO REPAIR, REPLACEMENT OR A REFUND OF THE PURCHASE PRICE, AT THE COMPANY'S SOLE OPTION.

UNDER NO CIRCUMSTANCE WILL THE COMPANY, ITS AFFILIATES, SUBSIDIARIES, RELATED ENTITIES, RESELLERS OR THEIR RESPECTIVE OFFICERS, DIRECTORS OR EMPLOYEES OR THOSE PERSONS FOR WHOM THEY ARE BY LAW RESPONSIBLE, BE LIABLE FOR CONSEQUENTIAL OR INCIDENTAL DAMAGES SUSTAINED IN CONNECTION WITH THE PRODUCT. THE COMPANY AND THESE OTHER PARTIES DO NOT ASSUME OR AUTHORIZE ANY REPRESENTATIVE OR OTHER PERSON TO ASSUME FOR ANY OF THEM ANY OBLIGATION OR LIABILITY OTHER THAN AS IS EXPRESSLY SET FORTH HEREIN.

The duration, terms and conditions of this warranty are valid worldwide, except where different limitations, restrictions or conditions may be required by local law.

**Fellowes**  
**Brands™**



To contact a Fellowes®  
service representative,  
call 1-800-833-3746

© 2022 Fellowes, Inc. | Part #412751 Rev B